

# Fence Panels and Posts

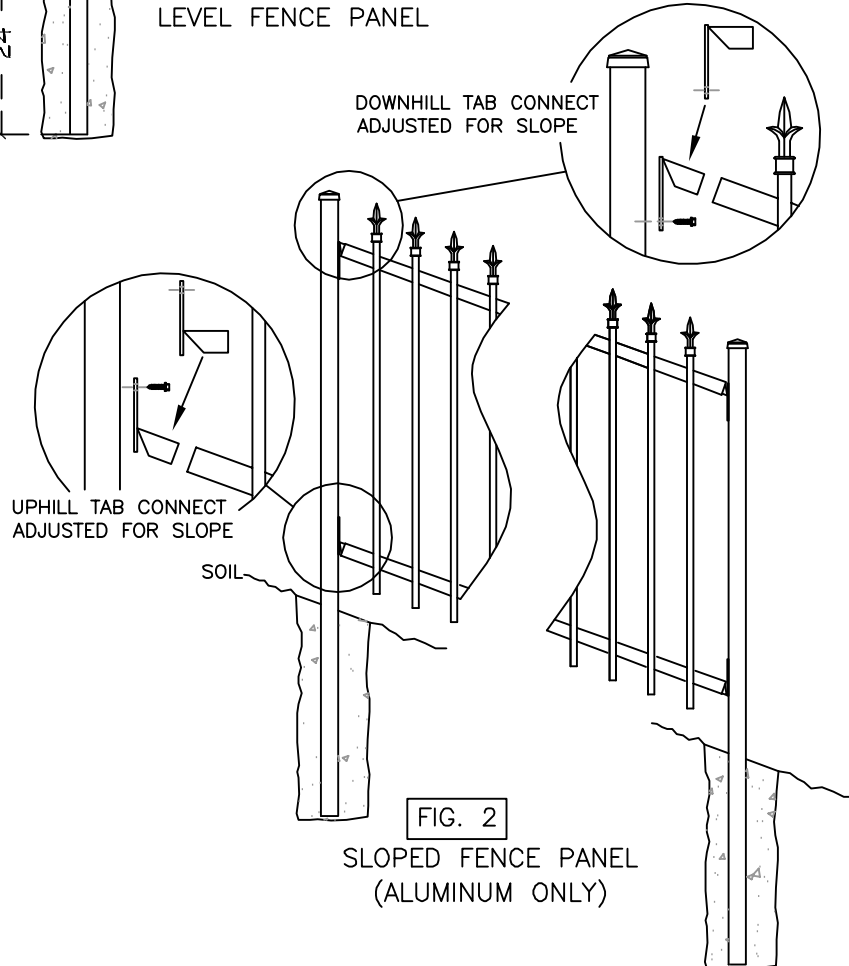
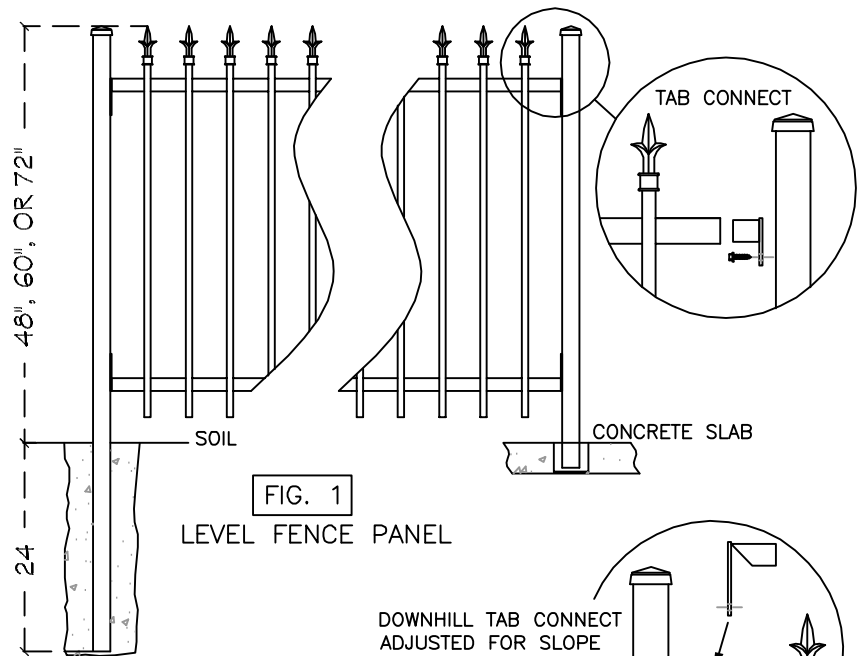
## Installation Instructions

### Step 1

Locate and install posts to appropriate height to match height of fence panels. Make sure the distance between posts allows for type of slip tabs you will be using.

### Step 2

To install fence panels, first insert slip tabs into ends of horizontal tubes. Hold panel between posts and mark center of tab holes for predrilling. Set panel aside and predrill holes. Replace panel and install with screws using an electric drill with a hex head driver.



## Tools Required

- Pencil
- Tape measure
- Drill
- 3/16" drill bit
- Ratchet wrench with sockets

CORNERSTONE GATES and FENCING

[www.cornerstonefencing.com](http://www.cornerstonefencing.com)

For questions call Cornerstone Fencing  
at (877) 489-1999 between 7:00AM and 3:30PM PST  
or write to CornerStone Fencing  
10100 SE Main ST. - Milwaukie, OR. 97222

fence install 001 - 6/15/06