

# Capistrano 13 FT. SINGLE Driveway Gates and Posts

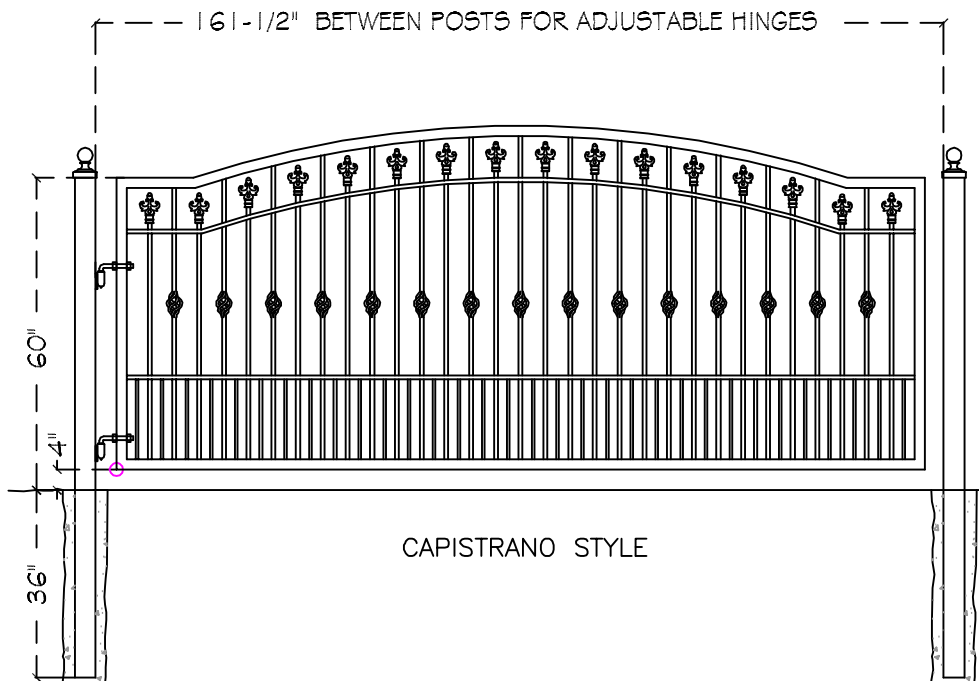
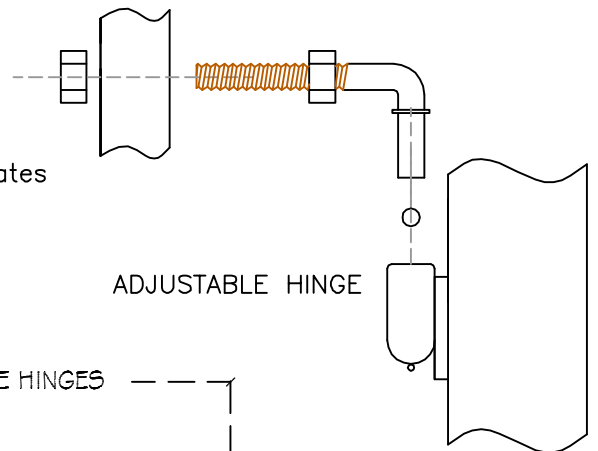
## Installation Instructions

### Step 1

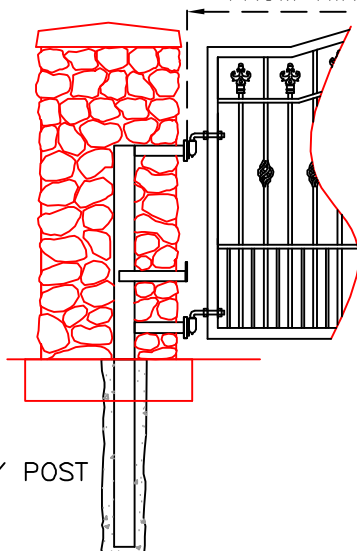
Locate and install posts to appropriate height to match gate shoulder height.  
Verify dimension between posts or masonry post hinge weld plates

### Step 2

Locate gate, mark location to drill holes for hinge bolts.  
After drilling bolt holes, hang gate and grease hinges



OPENING FOR MASONRY INSTALLATION IS MEASURED FROM HINGE PLATE TO OPPOSITE COLUMN



MASONRY POST

### Weights

- Weight of Gate Panel is 160 Lbs.
- Each Ball Capped Finished Post is 100 Lbs.
- Each Masonry Post is 109 Lbs.

CORNERSTONE GATES and FENCING

[www.cornerstonefencing.com](http://www.cornerstonefencing.com)

For questions call Cornerstone Fencing  
at (877) 489-1999 between 7:00AM and 3:30PM PST  
or write to Cornerstone Fencing  
10100 SE Main St. - Milwaukie, OR. 97222